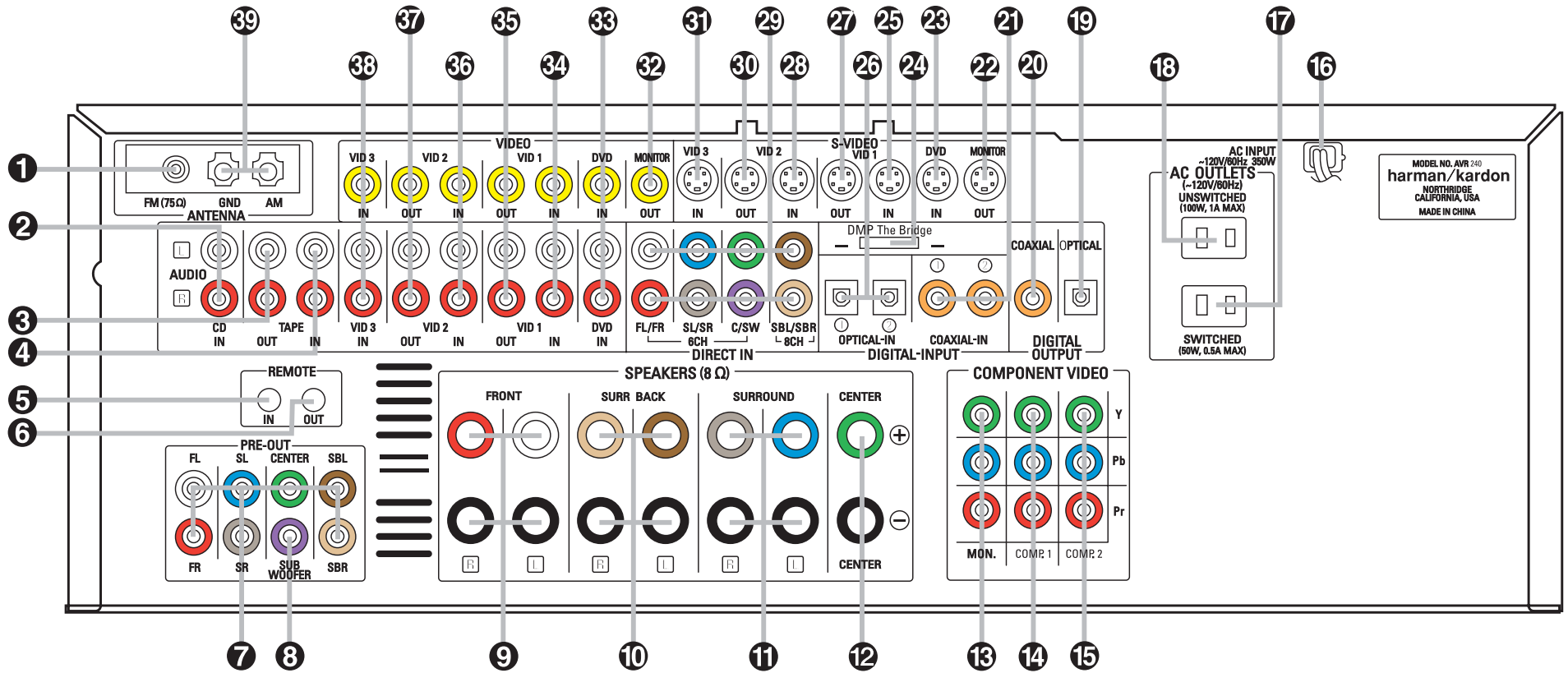


# AVR 240 REAR-PANEL CONNECTIONS



- 1 FM Antenna Jack
- 2 CD Audio Inputs
- 3 Tape Outputs
- 4 Tape Inputs
- 5 Remote IR Input
- 6 Remote IR Output
- 7 Preamp Outputs
- 8 Subwoofer Output
- 9 Front Speaker Outputs
- 10 Surround Back Speaker Outputs
- 11 Surround Speaker Outputs
- 12 Center Speaker Outputs
- 13 Component Video Monitor Outputs
- 14 Component Video 1 Inputs
- 15 Component Video 2 Inputs
- 16 AC Power Cord
- 17 Switched AC Accessory Outlet
- 18 Unswitched AC Accessory Outlet
- 19 Optical Digital Audio Output
- 20 Coaxial Digital Audio Output
- 21 Coaxial Digital Audio Inputs
- 22 S-Video Monitor Output
- 23 DVD S-Video Input
- 24 <sup>The Bridge</sup> DMP Connector
- 25 Video 1 S-Video Input
- 26 Optical Digital Audio Inputs
- 27 Video 1 S-Video Output
- 28 Video 2 S-Video Input
- 29 6/8-Channel Direct Inputs
- 30 Video 2 S-Video Output
- 31 Video 3 S-Video Input
- 32 Video Monitor Output
- 33 DVD Audio/Video Inputs
- 34 Video 1 Audio/Video Inputs
- 35 Video 1 Audio/Video Outputs
- 36 Video 2 Audio/Video Inputs
- 37 Video 2 Audio/Video Outputs
- 38 Video 3 Audio/Video Inputs
- 39 AM Antenna Terminals

NOTE: To assist in making the correct connections for multichannel input, output and speaker connections, all connection jacks and terminals are color-coded in conformance with the latest CEA® standards as follows:

Front Left: White	Subwoofer: Purple
Front Right: Red	Digital Audio: Orange
Center: Green	Composite Video: Yellow
Surround Left: Blue	Component Video "Y": Green
Surround Right: Gray	Component Video "Pr": Red
Surround Back Left: Brown	Component Video "Pb": Blue
Surround Back Right: Tan	

MODEL NO. AVR 240  
**harman/kardon**  
 NORTHBRIDGE  
 CALIFORNIA, USA  
 MADE IN CHINA